



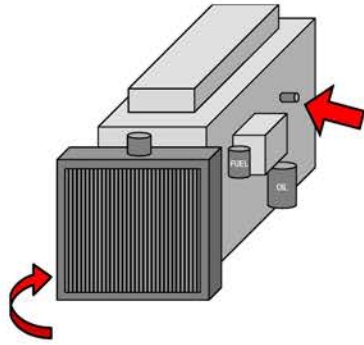
# Tractor Care Instructions

## Upon Receiving Your Tractor...

### Replace Water

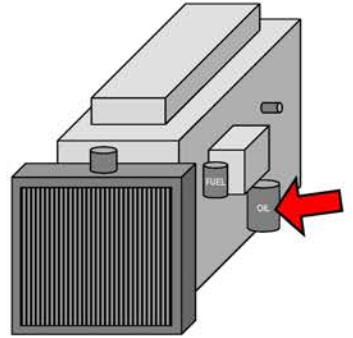
Drain radiator via two taps, one at bottom left of radiator, the other on right hand side of engine block.

Flush the cooling system and fill with quality engine coolant.



### Replace Engine Oil

After approx. 20 hours use, drain engine oil and fill with proprietary diesel-engine oil. We recommend also changing the oil filter.



### Running in Mechanical Parts

Run in engine and gearbox with due care.

Gearboxes are typically tight when a tractor is new, care should be taken to run the tractor through each gear, including high/low range and four-wheel drive.



### Nuts and Bolts

Check and tighten any nuts and/or bolts that may have loosened during transit.

*Also check nuts and bolts regularly as they can come loose through general use / vibration.*



## Ongoing Tractor Maintenance...

### Greasing

Add grease to all grease points on tractor and (where applicable) front end loader before every use to protect bearings from wear due to dust and dirt.



### Corrosion Protection

Regularly protect tractor from rust with an inhibiting spray such as WD40 or the superior and longer lasting Fluid Film.



### Battery

To prevent battery failure, disconnect battery during lengthy periods of non-use.



### Oil & Lubrication

- ❖ Check tractor for engine oil leaks, tighten any bolts as necessary. Also top up hydraulic oil as necessary. *Expulsion of any air in hydraulic oil lines will show a drop in oil levels.*
- ❖ Implements with gearboxes (such as slashers and post hole borers) **do not contain oil** when new – add gear oil before use.

