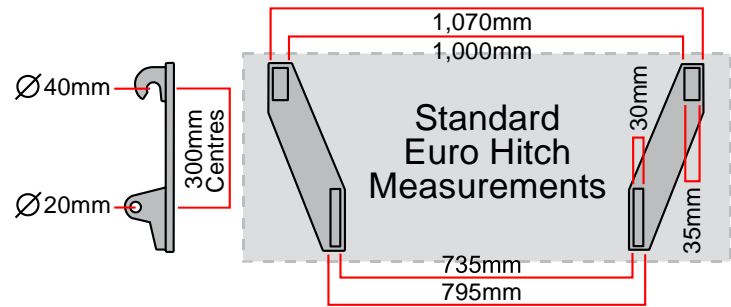
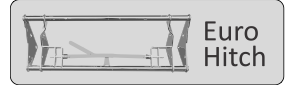


FEL Rock Bucket

This durable, high-quality bucket is designed to hold a high capacity without dropping the contents. Great for sorting out rocks and debris from dirt, or picking up firewood without picking up a whole lot of debris as well. Fully welded construction, reinforced steel bucket, with high wear-resistant 30mm tynes.



Hitch	EuroHitch
Tractor Power Required	50 - 90HP
Construction	Fully welded steel
Finish	Premium powder coated
Working Width	1,700mm Approx
Unit Mass	250kg

Your Price

\$

Inc. GST



- ✓ Chat to Normal, Friendly Folk
- ✓ 100% Australian Family Owned
- ✓ Factory Direct Products
- ✓ Readily Available Spare Parts
- ✓ Reliable After Sales Service

www.DiscountImplements.com

(02) 6553 6393

The Lakes Way, Rainbow Flat, NSW 2430

Discount Implements is a subsidiary of Discount Rural. Full specifications are available on our website. All prices are inclusive of GST. Warranty is strictly back-to-base. For full terms and conditions for the warranty, please visit our warranty page. *Offers, inclusions and accessories are available only while stocks last and are subject to availability. Offers and/or included accessories may be withdrawn or changed without prior notice. Included bonuses may be changed for an alternative of lesser retail value at agents discretion. Package deal price(s) available only at designated marketing events or at dealers discretion. Prices and specifications correct at time of publication but are subject to change and/or correction without prior notice. Implements with gearboxes (ie. Connect to the tractor with a PTO shaft) do not contain oil when new - add gear oil before use. Some assembly is required. Gear oil not included. For our full Warranty Policy, please visit <https://www.discountimplements.com>