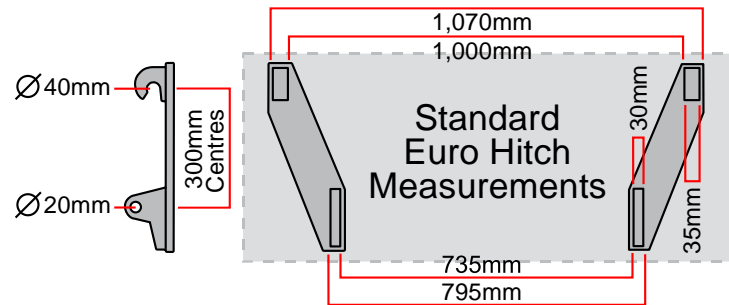
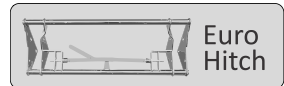
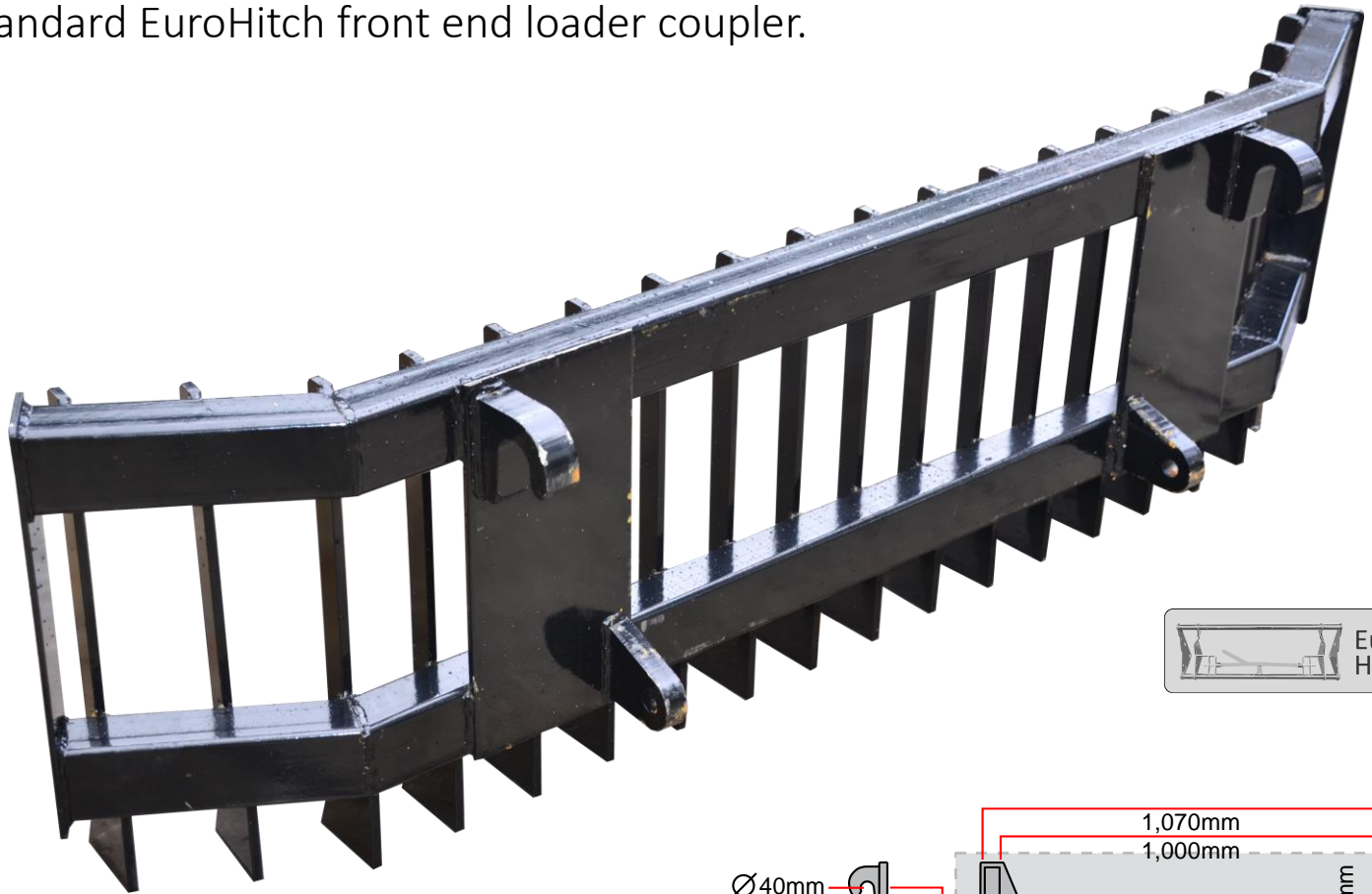


EuroHitch FEL Rock Rake

Great for rocks, branches and sticks, the FEL Rock Rake is a highly versatile piece of equipment. Constructed from fully welded steel components, this rock rake has the durability to work all day, every day. It connects to any standard EuroHitch front end loader coupler.



Hitch	EuroHitch
Tractor Power Required	30- 80HP
Construction	Fully welded steel
Finish	Premium powder coated
Working Width	Approx 1,800mm (6ft)
Working Efficiency	3,500 - 9,000m ² /h

Your Price

Inc. GST



- Chat to Normal, Friendly Folk
- 100% Australian Family Owned
- Factory Direct Products
- Readily Available Spare Parts
- Reliable After Sales Service

www.DiscountImplements.com
(02) 6553 6393
The Lakes Way, Rainbow Flat, NSW 2430

Discount Implements is a subsidiary of Discount Rural. Full specifications are available on our website. All prices are inclusive of GST. Warranty is strictly back-to-base. For full terms and conditions for the warranty, please visit our warranty page. *Offers, inclusions and accessories are available only while stocks last and are subject to availability. Offers and/or included accessories may be withdrawn or changed without prior notice. Included bonuses may be changed for an alternative of lesser retail value at agents discretion. Package deal price(s) available only at designated marketing events or at dealers discretion. Prices and specifications correct at time of publication but are subject to change and/or correction without prior notice. Implements with gearboxes (ie. Connect to the tractor with a PTO shaft) do not contain oil when new - add gear oil before use. Some assembly is required. Gear oil not included. For our full Warranty Policy, please visit <https://www.discountimplements.com>