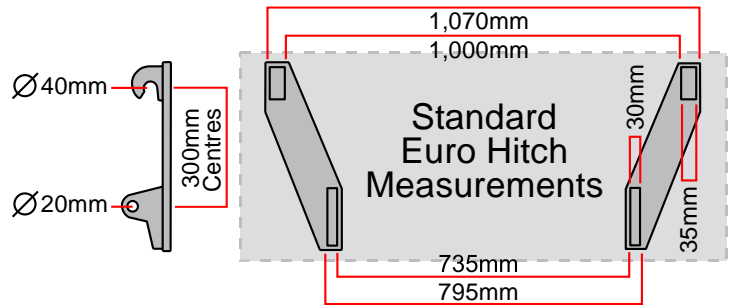
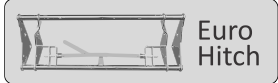
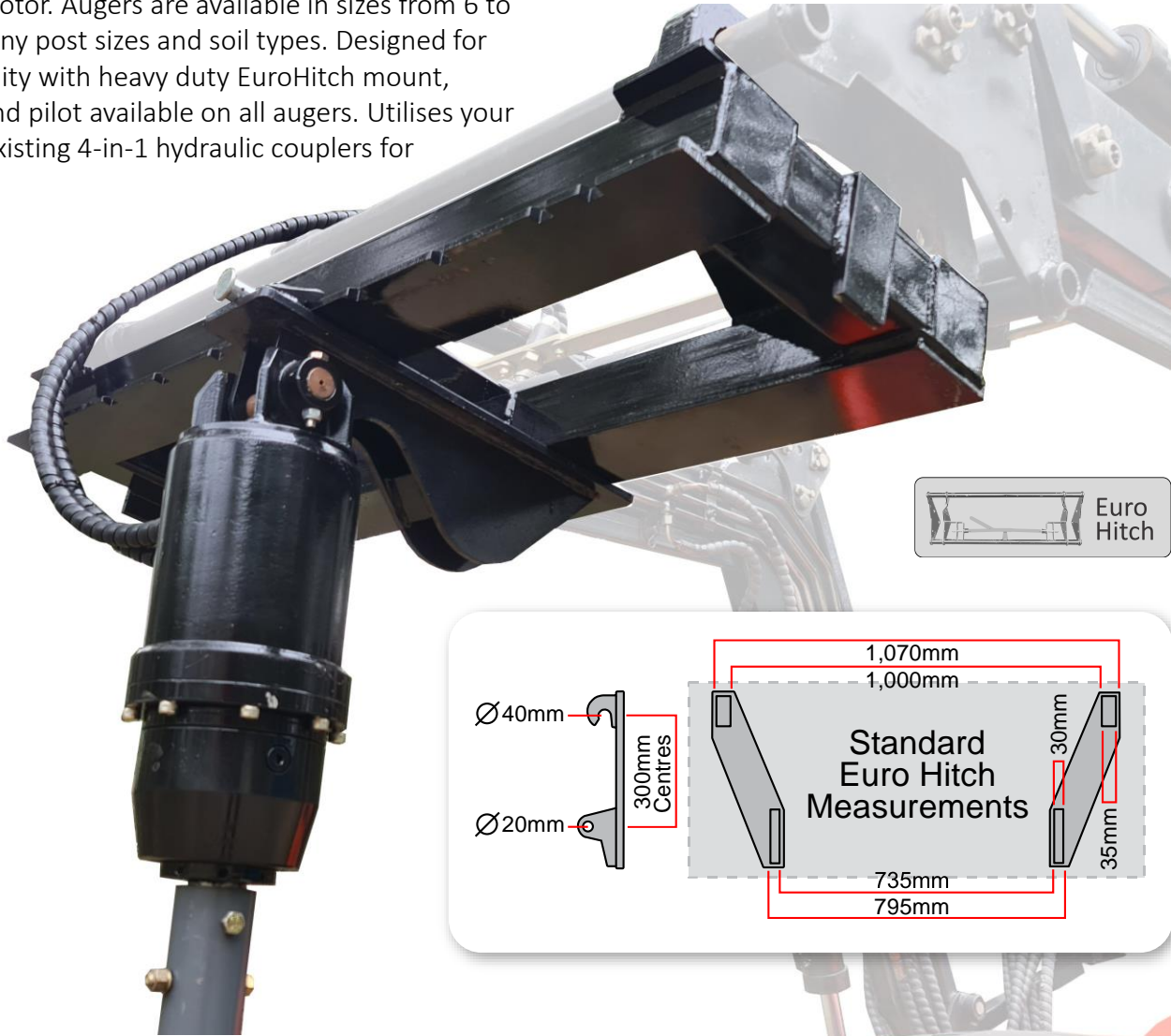


FEL EuroHitch Post Hole Borer

Create fences with ease to keep wanted things in and unwanted things out - for use in many soil types - ideally suited for fence building and tree planting around the property. Durable hydraulic motor. Augers are available in sizes from 6 to 25 inches to suit many post sizes and soil types. Designed for strength and durability with heavy duty EuroHitch mount, replaceable teeth and pilot available on all augers. Utilises your front end loader's existing 4-in-1 hydraulic couplers for hydraulic power.



Hitch	EuroHitch
Construction	Fully Welded Steel
Available Auger Sizes	6, 9, 12, 14, 18 or 25 inch
Tractor Power Required	Up to 75HP
Oil Flow Rate	23-53 Litres/min
Oil Pressure	1,160 - 2,900 PSI
Max. Reverse Pressure	< 700 PSI
Max. Drilling Depth	Auger Depth (FEL dependant)
Horizontal Position Adjustment	Yes

\$

Your Price

Inc. GST



- Chat to Normal, Friendly Folk
- 100% Australian Family Owned
- Factory Direct Products
- Readily Available Spare Parts
- Reliable After Sales Service

www.DiscountImplements.com
(02) 6553 6393
The Lakes Way, Rainbow Flat, NSW 2430

Discount Implements is a subsidiary of Discount Rural. Full specifications are available on our website. All prices are inclusive of GST. Warranty is strictly back-to-base. For full terms and conditions for the warranty, please visit our warranty page. *Offers, inclusions and accessories are available only while stocks last and are subject to availability. Offers and/or included accessories may be withdrawn or changed without prior notice. Included bonuses may be changed for an alternative of lesser retail value at agents discretion. Package deal price(s) available only at designated marketing events or at dealers discretion. Prices and specifications correct at time of publication but are subject to change and/or correction without prior notice. Implements with gearboxes (ie. Connect to the tractor with a PTO shaft) do not contain oil when new - add gear oil before use. Some assembly is required. Gear oil not included. For our full Warranty Policy, please visit <https://www.discountimplements.com>